

**Filter:**  
1 -16x25x2

**AL-Cellstack:**  
2 x 4- 995mm x 220mm x 220mm

**Adj.Cellstack:**  
2 x 2- 995mm x 270mm x 220mm

Actual components detailed by enclosed specification

Notes: .....

.....

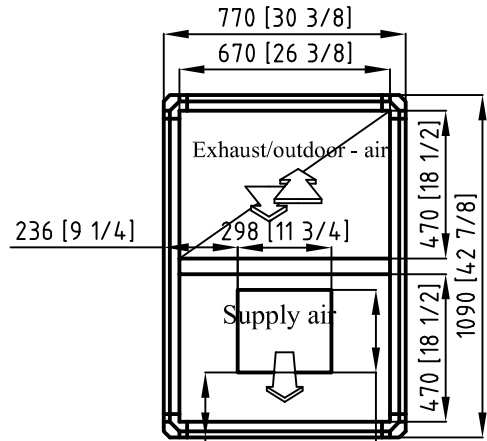
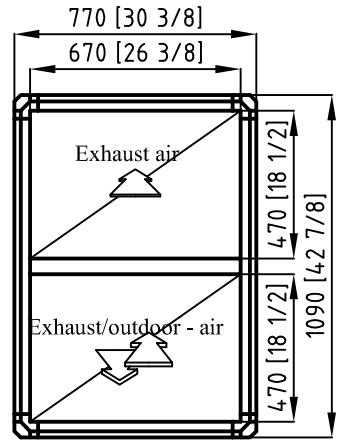
.....

.....

.....

.....

.....



Section A

Section B

NOTES:  
 (S) SPLIT FOR SHIPMENT

- SERVICE ACCESS PANELS MUST NOT BE OBSTRUCTED RECOMMENDED CLEARANCE = SECTION SIZE.
- DIMENSIONS ARE SUBJECT TO MANUFACTURING TOLERANCES. FOR REFERENCE USE ONLY, SUBJECT TO CHANGE WITHOUT NOTICE

THIS DRAWING IS THE PROPERTY OF TEMPEFF NORTH AMERICA. UNAUTHORIZED USE OR DUPLICATION IS PROHIBITED. USE OTHER THAN INTENDED USE IS PROHIBITED

Exhaust filters and cooling/heating coils are available as extras. Extra coils will be placed in a separate unit after the main unit. The unit's dimensions are based on the size of the chosen coil and appropriate inspection plenum.

Drawing subject to change without notice

*Regenair Scandinavia*  
 Box 680  
 13526 Tyreso - Sweden  
 Phone: +46 8-555 729 10  
 Email: info@regenair-scandinavia.com

Drawn by: RE	Checked by: ---	Rev. A	Under rubrik: Sammanställning	Date: 2002-11-12	Scale: 1:30
			RG 1800 Type 1 w/ Blowers		
			1018 001		